

Wenlock

Short Description

A corner building, ideally suited to the smaller garden or as an attractive hideaway.

Features

- Tongue and Groove floor and roof boards
- Hand finished single glazed windows and doors, separate panes (28mm buildings)
- Hand finished Double Glazed windows and doors (44mm buildings)
- Glazing bars supplied for fitting if desired (for DG windows)
- Double door with euro cylinder lock
- Adjustable door hinges

Optional Features

- Mineral roll roofing felt
- Bitumous roof shingles
- Canadian Cedar Shingles
- Extra windows
- Professional Installation
- Timber treatment (at time of installation)
- Electrical wiring to NICEIC / Part P

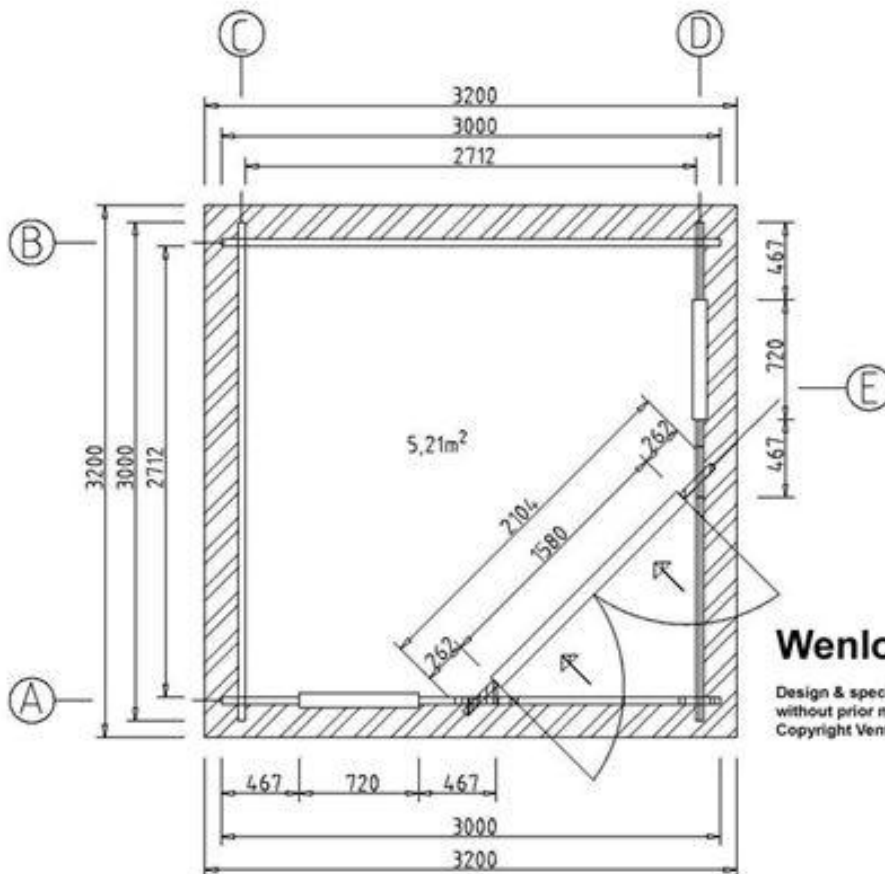
Key Dimensions

- External size availability 3x3m (cut off corner)
- Height to Eaves 2.1m
- Height to Ridge 2.5m

Timber Thickness Availability

28mm
44mm

Doors also available with full length glazing



Wenlock floor plan

Design & specification subject to change
without prior notice
Copyright Ventina Log Cabins