

Nevis

Short Description

A practical and classic design featuring generous roof overhang, centrally hung double doors and window to either side.

Features

- Tongue and Groove floor and roof boards
- Hand finished Double Glazed windows and doors
- Glazing bars supplied for fitting if desired
- Double door with euro cylinder lock
- Adjustable door hinges

Optional Features

- Mineral roll roofing felt
- Bitumous roof shingles
- Canadian Cedar Shingles
- Extra windows
- Professional Installation
- Timber treatment (at time of installation)
- Electrical wiring to NICEIC / Part P

Key Dimensions

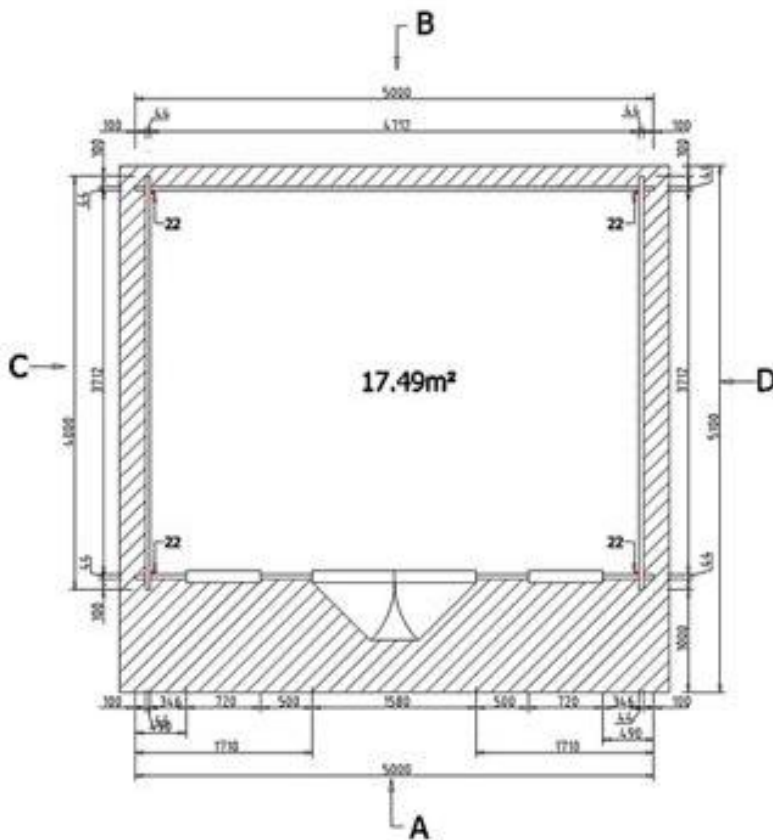
- External size availability
 - 4x3m
 - 4x4m
 - 4x5m
 - 5x4m
 - 5x5m
- Front overhang 1.1m
- Height to Eaves 2.1m
- Height to Ridge 2.7m

Timber Thickness Availability

44mm
70mm

Plan shows 5x4m model

Doors also available with full length glazing



Nevis 5x4 floor plan

Design & specification subject to change without prior notice
Copyright Ventana Log Cabins

