

Clifton

Short description

Ideal as hobby or work room or as a heavy duty garden shed.

Features

- Tongue and Groove floor and roof boards
- Hand finished single glazed window and door, separate panes (28mm buildings)
- Hand finished Double Glazed window and door (44mm buildings)
- Glazing bars supplied for fitting if desired (for DG windows)
- Single door with euro cylinder lock
- Adjustable door hinges
- Position of door and window may be reversed on assembly

Optional Features

- Mineral roll roofing felt
- Bitumous roof shingles
- Canadian Cedar Shingles
- Extra windows
- Professional Installation
- Timber treatment (at time of installation)
- Electrical wiring to NICEIC / Part P

Key Dimensions

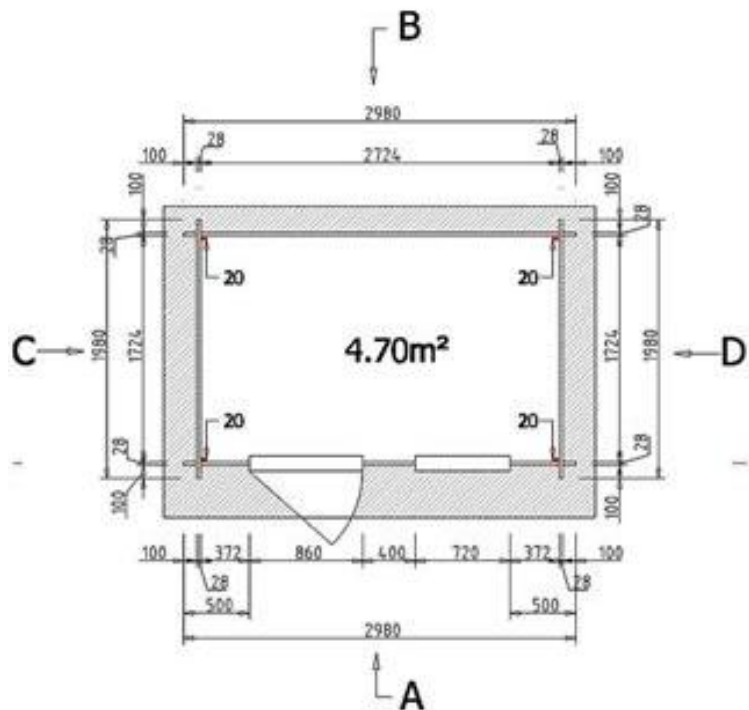
- External size 3x2m
- Front overhang 0.25m
- Height to Eaves 2.0m
- Height to Ridge 2.4m

Timber Thickness Availability

28mm

44mm

Door also available with full length glazing



Clifton floor plan

Design & specification subject to change without prior notice
Copyright Ventana Log Cabins